



Bricscad™ V11 is the number one alternative CAD software for the .dwg file format. It offers a complete and recognizable feature set to professional users. Bricscad is highly compatible with AutoCAD® and integrates online collaboration tools to exchange and sync files with colleagues and log all versions of the drawings.

Compatibility

You can open AutoCAD® files and work on it instantly, while AutoCAD® users can do the same with Bricscad files. It's that simple and easy. The recognizable interface requires no extra training for Bricscad nor for any application that you are used to. Just continue the job.

Price

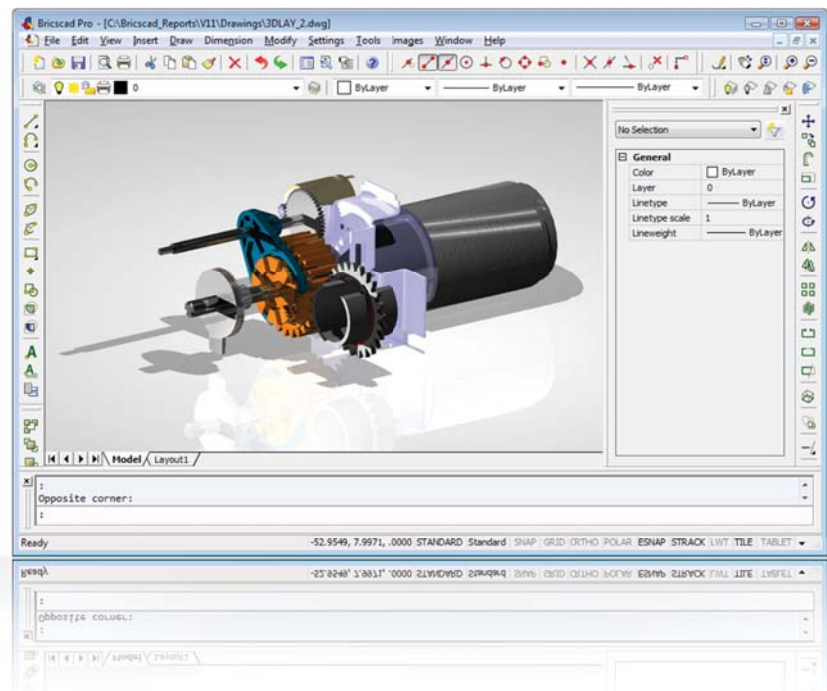
Bricscad offers value for the buck. Although there are more .dwg alternatives, Bricscad is generally recognized as the best deal for quality and price.

Versatility

More than 160 applications run on Bricscad. The alternative API's of the Bricscad platform are absolutely unmatched. Users who have customizations or self developed add-ons via AutoCAD® API's continue to run them on Bricscad, without modifications.

Support

Bricscad has a unique online support system for all its users - even trial users. Registered users communicate online with our support analysts and have access to all their requests and all our answers at anytime. This unique feature is now open for users and third party application developers: one point of access for your questions, one community.



Bricscad™ V11 is the preferred CAD platform for an increasing number of large corporations and engineers. More than 160 third party applications are already ported to Bricscad. It makes Bricscad one of the most versatile CAD platforms in the industry. The combination of a very recognizable interface, .dwg compatibility, day-to-day support and a reasonable price for new licenses and upgrades are the success factors for the fast growing adaptation of the Bricscad product. It makes Bricscad the best choice for replacing AutoCAD® licenses or adding multiple seats to an existing AutoCAD® environment.

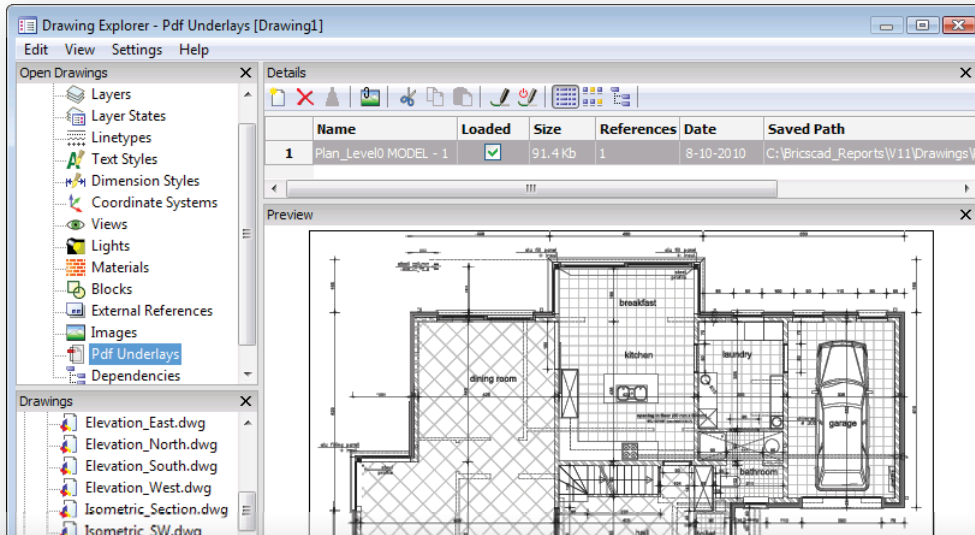
Key Features

- Native .dwg 2010 file format
- Support for AutoCAD 2.5 to 2011
- Full ACIS (3D solids) modeling
- Reference Edit
- Powerful Drawing Explorer
- Consolidated Settings Manager
- eBridge to Vondle
- Visual Basic for Applications (VBA)
- LISP (VL, VLR, VLA, VLAX support)
- Highly compatible ADS/SDS API
- Highly compatible COM API
- BRX/ARX support

V11 Features **NEW**

- Powerful 3D Render Engine
- Dynamic Input
- Dynamic Dimensions
- Dynamic Blocks editing
- PDF underlay
- Layer preview
- Separate Hatches
- Programmable mouse buttons
- Performance and memory improvements

Explore your next generation CAD workplace

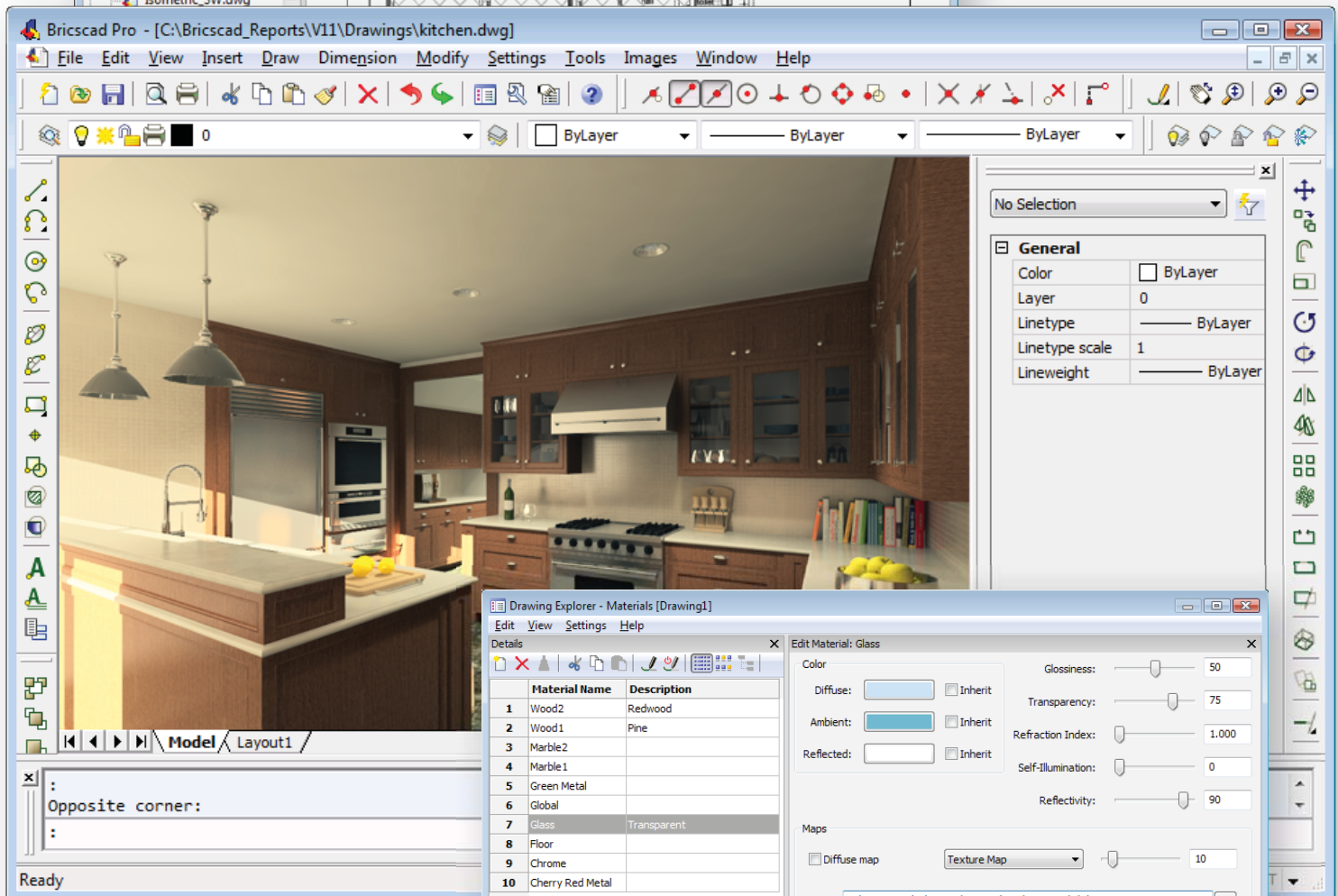


PDF Underlay **NEW**

Attach any PDF file to your drawing. You can snap to the geometry contained in the PDF.

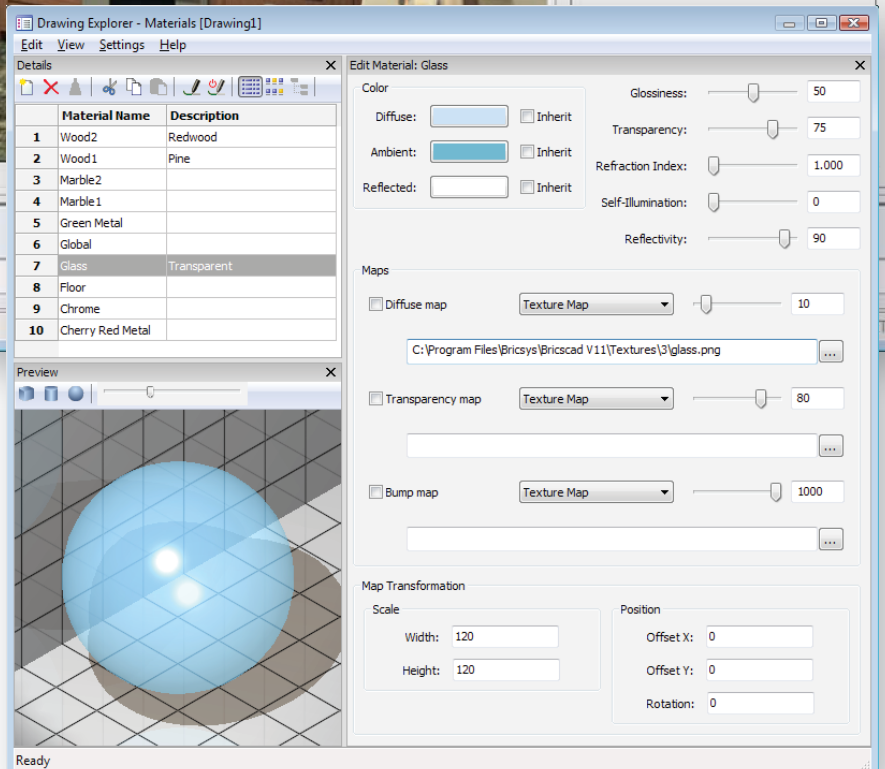
Powerful 3D Render Engine **NEW**

Bricscad V11 Pro has an extremely powerful rendering engine allowing to work in permanent render mode. Materials and lights can be created and edited in the Materials section of the Drawing Explorer.



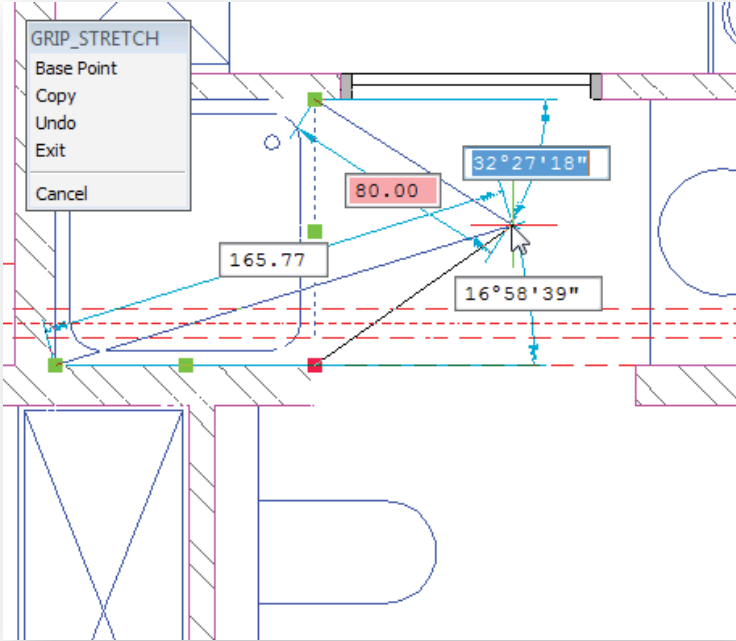
Materials **NEW**

Materials are defined by the different color settings and the settings such as glossiness, transparency, refraction index, self illumination and reflectivity. Materials can be detailed by selecting a bitmap under diffuse map and then be fine-tuned with the settings of the transparency map and the bump map. All maps then can be blended too, to get the exact look as you want.



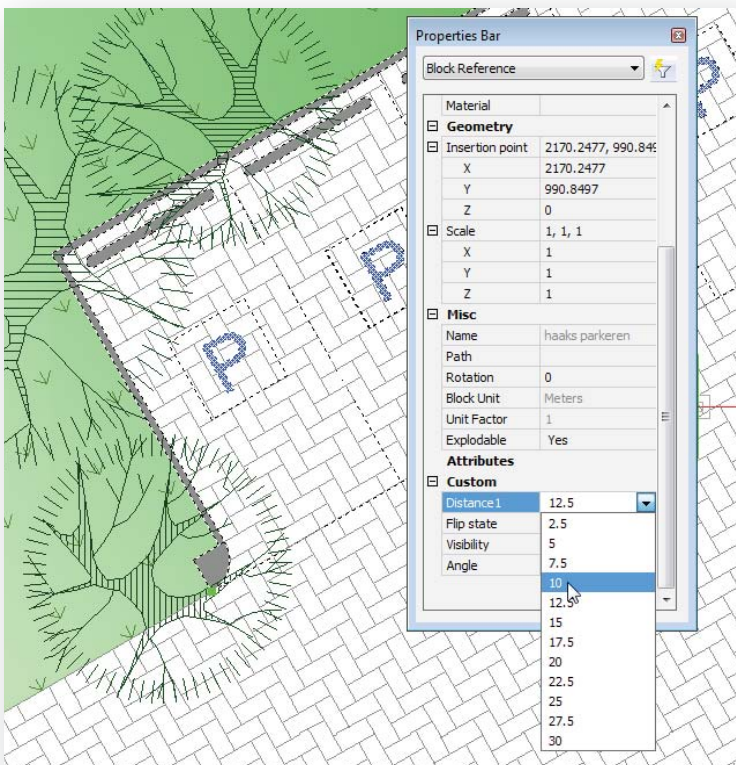
Dynamic Input and Dynamic Dimensions **NEW**

Dynamic Dimensions are available while creating and editing entities. With the new DYNMODE button it can be switched ON/OFF. When moving a grip point, all related dimensions are displayed in real time and can be modified on the fly with Dynamic Input.



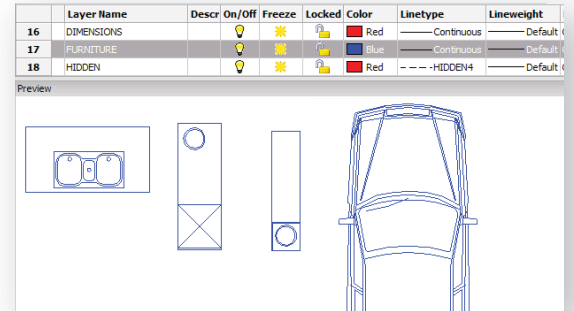
Dynamic Blocks **NEW**

You can insert dynamic blocks from your existing dynamic block libraries and adjust the custom properties and constraints in the Properties Bar.



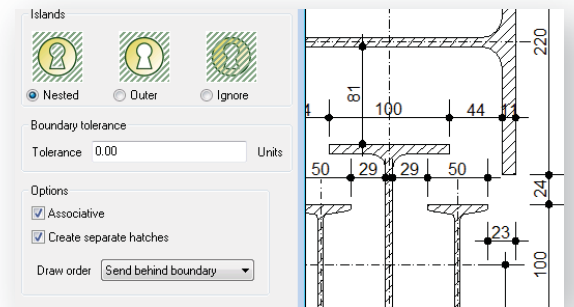
Layer Preview **NEW**

In the Layers section of the Drawing Explorer the content of each layer displays in the Preview pane.



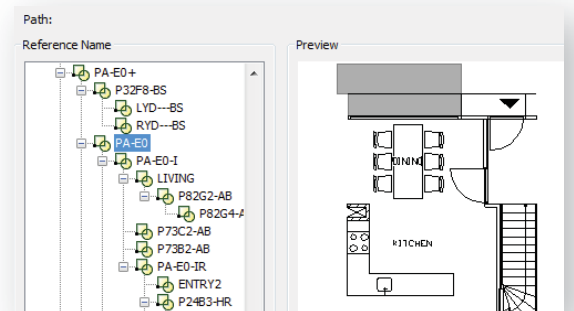
Creation of separate Hatches **NEW**

You can create separate hatches when clicking subsequent points to detect hatch boundaries or when you select multiple closed entities to be hatched.



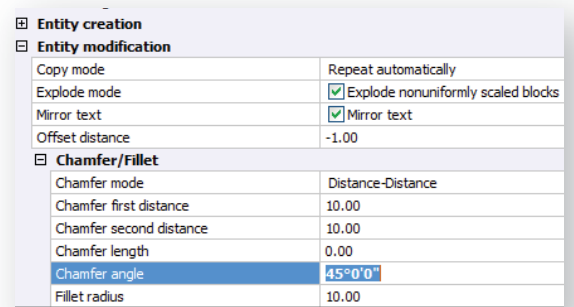
Reference Editing

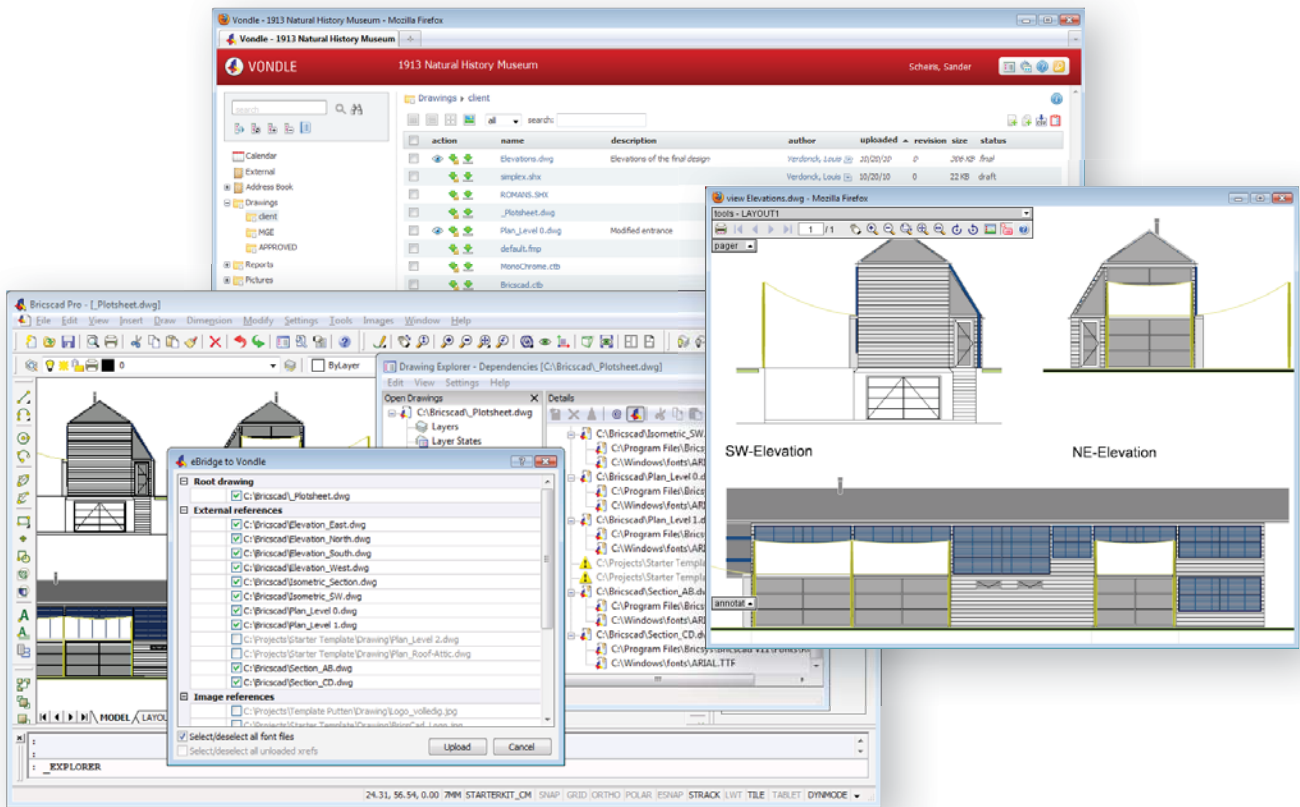
In-place editing of Xrefs and Blocks. Nested blocks are detected automatically and presented in a tree view. A preview of each block or Xref helps you to select.



Settings Manager

Provides a unique, consolidated overview of all system variables and settings.





Engineering is more than drawings. It's about collaboration and Bricsys takes the lead by making it accessible for everyone with eBridge™ to Vondle™. eBridge is a powerful cloud service integrated in Bricscad. It allows users to collaborate online with colleagues internally or externally of the company.

With eBridge you can add an unlimited number of participants and have full control on which information, -files, -data you want to share. eBridge includes a powerful notification system. eBridge comes with probably the fastest cloud based viewer in the industry - make annotations on the fly and notify everyone

concerned. Let someone upload and/or download files or just view files, or allow him to annotate them: It's all at your fingertips. Unlimited workflows can be designed as a flow chart and instantly be used.



Bricsys is a global provider of engineering software through its network of 70 offices on four continents. The product portfolio consists of Bricscad and Vondle (an extended SaaS platform). Bricscad is the powerful DWG-alternative CAD platform that enables DWG-based applications to serve the growing markets of GIS, AEC, mechanical CAD, and civil engineering. Bricsys products are available in 16 languages, with more languages in development.

Bricsys Bulgaria
 Sofia
 Aleksandar Zhendov 6
 Phone: 0876 87 55 48
 info@f-utils.org

Bricsys Inc.
 39 Merrimack Drive
 Merrimack, NH 03054
 USA
 contact.us@bricsys.com

www.f-utils.org

www.bricsys.com